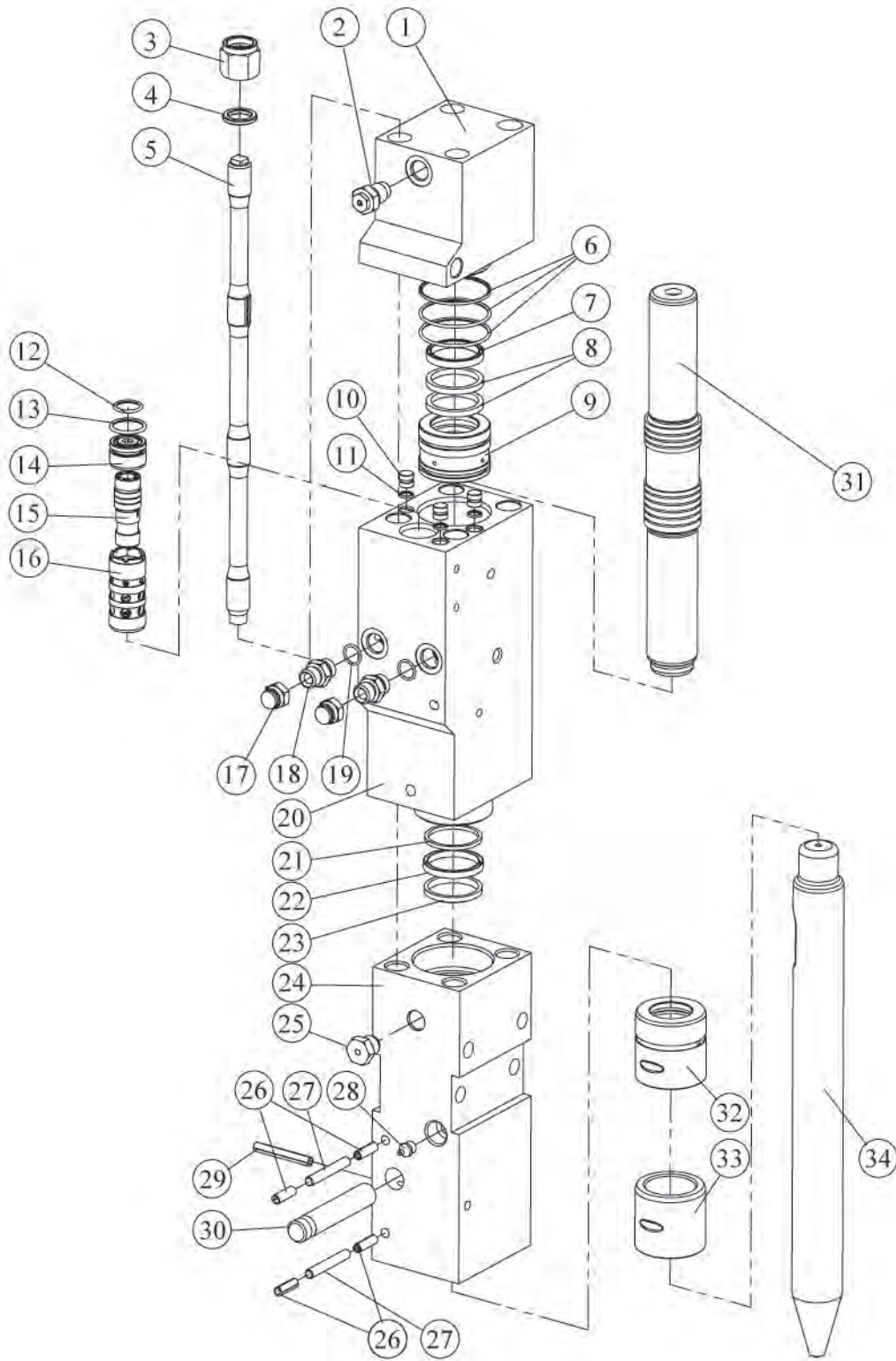


SHD 40i

PARTS LIST



SHD 40i MAIN BODY PARTS



SHD 40i MAIN BODY PARTS LIST

NO.	PART NO.	PART NAME	Q'TY	REMARKS
1	01031	Back Head	1	
2	00002	B/H Charging Valve	1	
3	01033	Through Bolt Hex. Nut	4	
4	01034	Through Bolt Washer	4	
5	01032	Through Bolt	4	
6	S00034	O RING	3	
7	CS0101	Gas Seal	1	
8	CS0102	U-Packing	2	
9	01003	Seal Retainer	1	
10	03004	Plug	3	
11	S00012	O Ring	3	
12	S00003	O Ring	1	
13	S00056	O Ring	1	
14	01006	Valve Cap	1	
15	01005	Valve	1	
16	01007	Valve Sleeve	1	
17	01037	Adapter Cap	2	
18	01036	Screwed Adapter	2	
19	S00001	O RING	2	
20	01001	Cylinder	1	
21	CS0107	SRTN Ring	1	
22	CS0106	U-Packing	1	
23	CS0105	Dust Seal	1	
24	01021	Front Head	1	
25	00001	Air Check Valve	1	
26	P1005	Spring Pin	4	
27	01026	Stop Pin	2	
28	00003	Grease Nipple	1	
29	P1012	Spring Pin	1	
30	01025	Rod Pin	1	
31	01002	Piston	1	
32	01023	Ring Bush	1	
33	01024	Front Cover	1	
34	01022	Tool	1	
★	01000S	Seal Kit	1	assembly

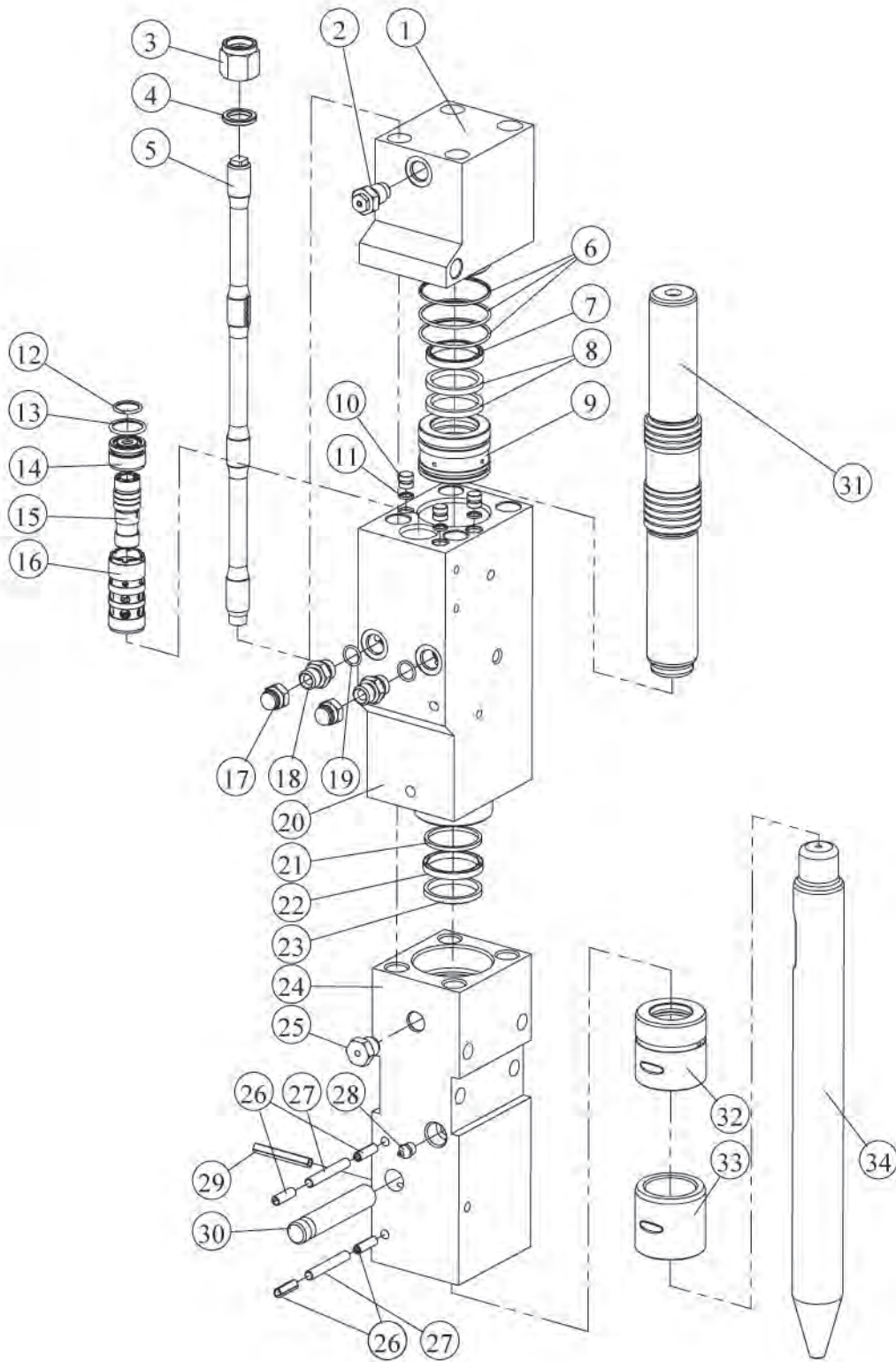


SHD 45i

PARTS LIST



SHD 45i MAIN BODY PARTS



SHD 45i MAIN BODY PARTS LIST

NO.	PART NO.	PART NAME	Q'TY	REMARKS
1	02031	Back Head	1	
2	00002	B/H Charging Valve	1	
3	02033	Through Bolt Hex. Nut	4	
4	02034	Through Bolt Washer	4	
5	02032	Through Bolt	4	
6	S00034	O RING	3	
7	CS0201	Gas Seal	1	
8	CS0202	U-Packing	2	
9	02003	Seal Retainer	1	
10	03004	Plug	3	
11	S00012	O Ring	3	
12	S00003	O Ring	1	
13	S00056	O Ring	1	
14	01006	Valve Cap	1	
15	01005	Valve	1	
16	01007	Valve Sleeve	1	
17	04037	Adapter Cap	2	
18	04036	Screwed Adapter	2	
19	S00001	O RING	2	
20	02001	Cylinder	1	
21	CS0207	SRTN Ring	1	
22	CS0206	U-Packing	1	
23	CS0205	Dust Seal	1	
24	02021	Front Head	1	
25	00001	Air Check Valve	1	
26	P1006	Spring Pin	4	
27	02026	Stop Pin	2	
28	00003	Grease Nipple	1	
29	P1012	Spring Pin	1	
30	02025	Rod Pin	1	
31	02002	Piston	1	
32	02023	Ring Bush	1	
33	02024	Front Cover	1	
34	02022	Tool	1	
★	02000S	Seal Kit	1	assembly

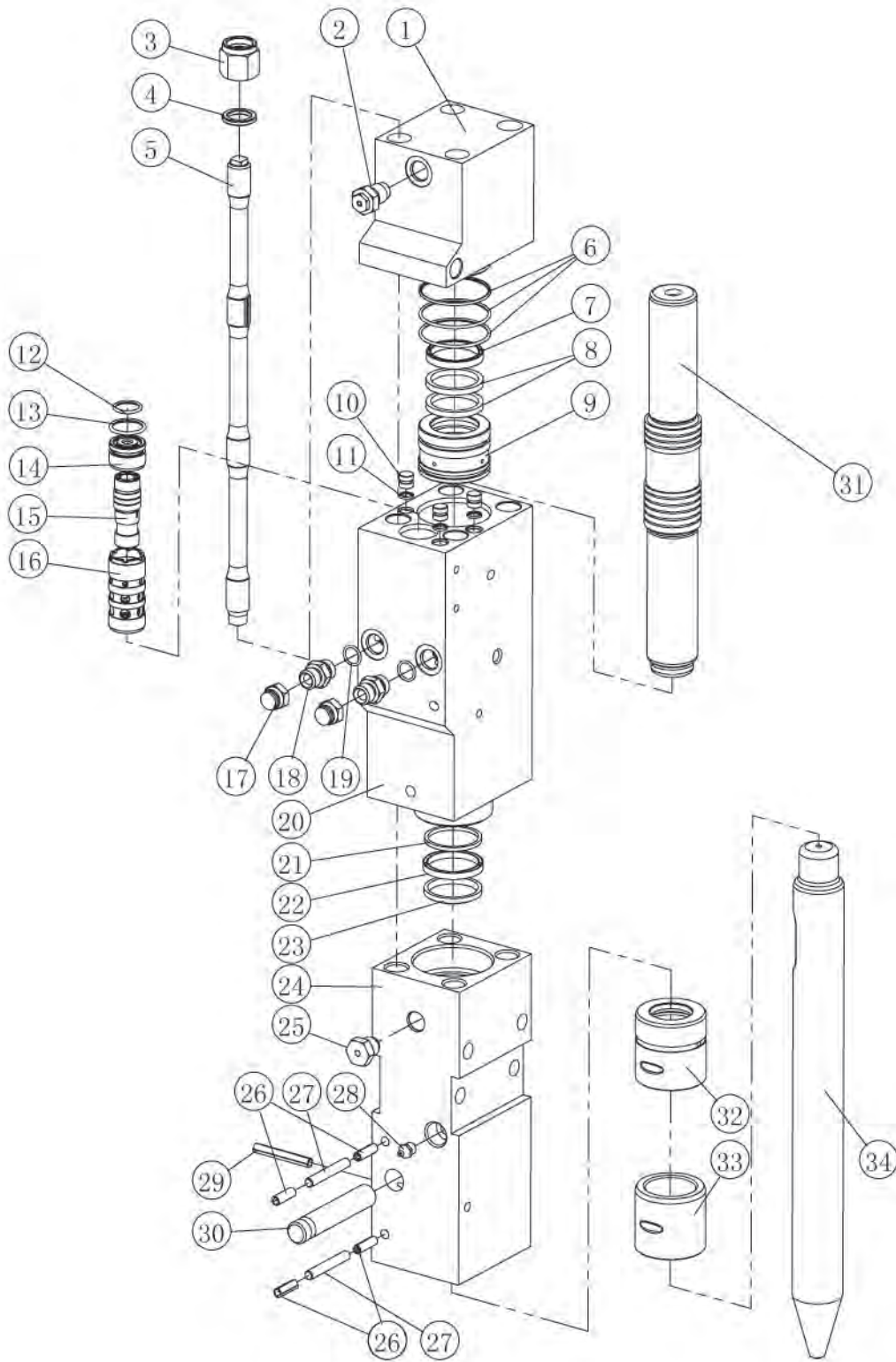


SHD 53ib

PARTS LIST



SHD 53ib MAIN BODY PARTS



SHD 53ib MAIN BODY PARTS LIST

NO.	PART NO.	PART NAME	Q'TY	REMARKS
1	03031	Back Head	1	
2	00002	B/H Charging Valve	1	
3	03033	Through Bolt Hex. Nut	4	
4	03034	Through Bolt Washer	4	
5	03032	Through Bolt	4	
6	S00031	O RING	3	
7	CS0301	Gas Seal	1	
8	CS0302	U-Packing	2	
9	03003	Seal Retainer	1	
10	03004	Plug	3	
11	S00012	O Ring	3	
12	S00003	O Ring	1	
13	S00033	O Ring	1	
14	03006	Valve Cap	1	
15	03005	Valve	1	
16	03007	Valve Sleeve	1	
17	04037	Adapter Cap	2	
18	04036	Screwed Adapter	2	
19	S00001	O RING	2	
20	03001	Cylinder	1	
21	CS0307	SRTN Ring	1	
22	CS0306	U-Packing	1	
23	CS0305	Dust Seal	1	
24	03021	Front Head	1	
25	00001	Air Check Valve	1	
26	P1006	Spring Pin	4	
27	03026	Stop Pin	2	
28	00003	Grease Nipple	1	
29	P1014	Spring Pin	1	
30	03025	Rod Pin	1	
31	03002	Piston	1	
32	03023	Ring Bush	1	
33	03024	Front Cover	1	
34	03022	Tool	1	
*	03000S	Seal Kit	1	assembly

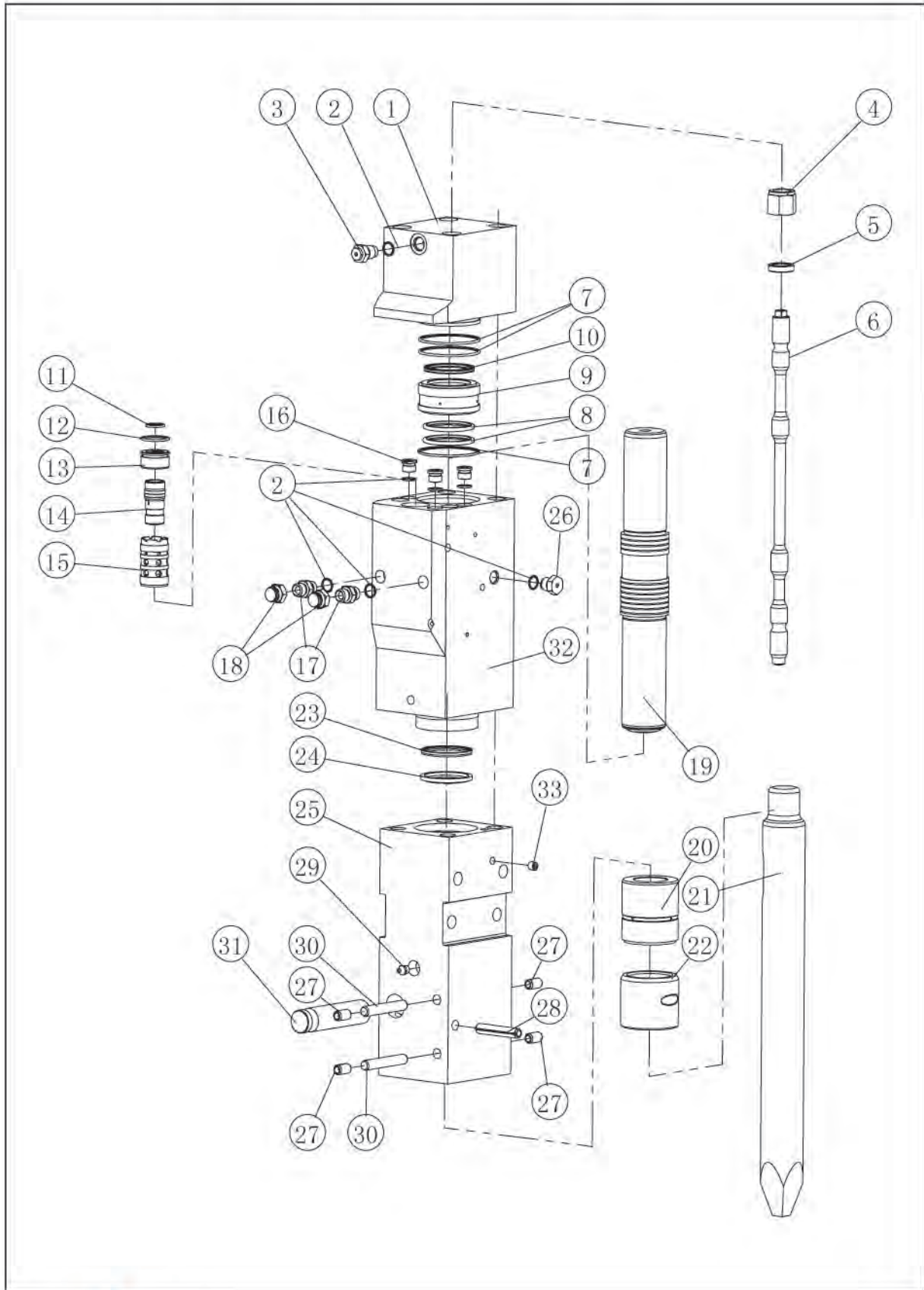


SHD 68ib

PARTS LIST



SHD 68ib MAIN BODY PARTS



SHD 68ib MAIN BODY PARTS LIST

NO.	PART NO.	PART NAME	Q'TY	REMARKS
1	04031	Back Head	1	
2	S00001	O RING	8	
3	00002	B/H Charging Valve	1	
4	04033	Through Bolt Hex. Nut	4	
5	04034	Through Bolt Washer	4	
6	04032	Through Bolt	4	
7	S00005	O RING	3	
8	CS0402	Step Seal	2	
9	04003	Seal Retainer	1	
10	CS0401	Gas Seal	1	
11	S00003	O Ring	1	
12	S00004	O Ring	1	
13	04006	Valve Cap	1	
14	04005	Valve	1	
15	04007	Valve Sleeve	1	
16	04004	Socket Plug	3	
17	04036	Screwed Adapter	2	
18	04037	Adapter Cap	2	
19	04002	Piston	1	
20	04023	Ring Bush	1	
21	04022	Tool	1	
22	04024	Front Cover	1	
23	CS0406	U-Packing	1	
24	CS0405	Dust Seal	1	
25	04021	Front Head	1	
26	00001	Air Check Valve	1	
27	P1608	Spring Pin	4	
28	P1616	Stop Pin	1	
29	00003	Grease Nipple	1	
30	04026	Stop Pin	2	
31	04025	Rod Pin	1	
32	04001	Cylinder	1	
★	04000S	Seal Kit	1	assembly

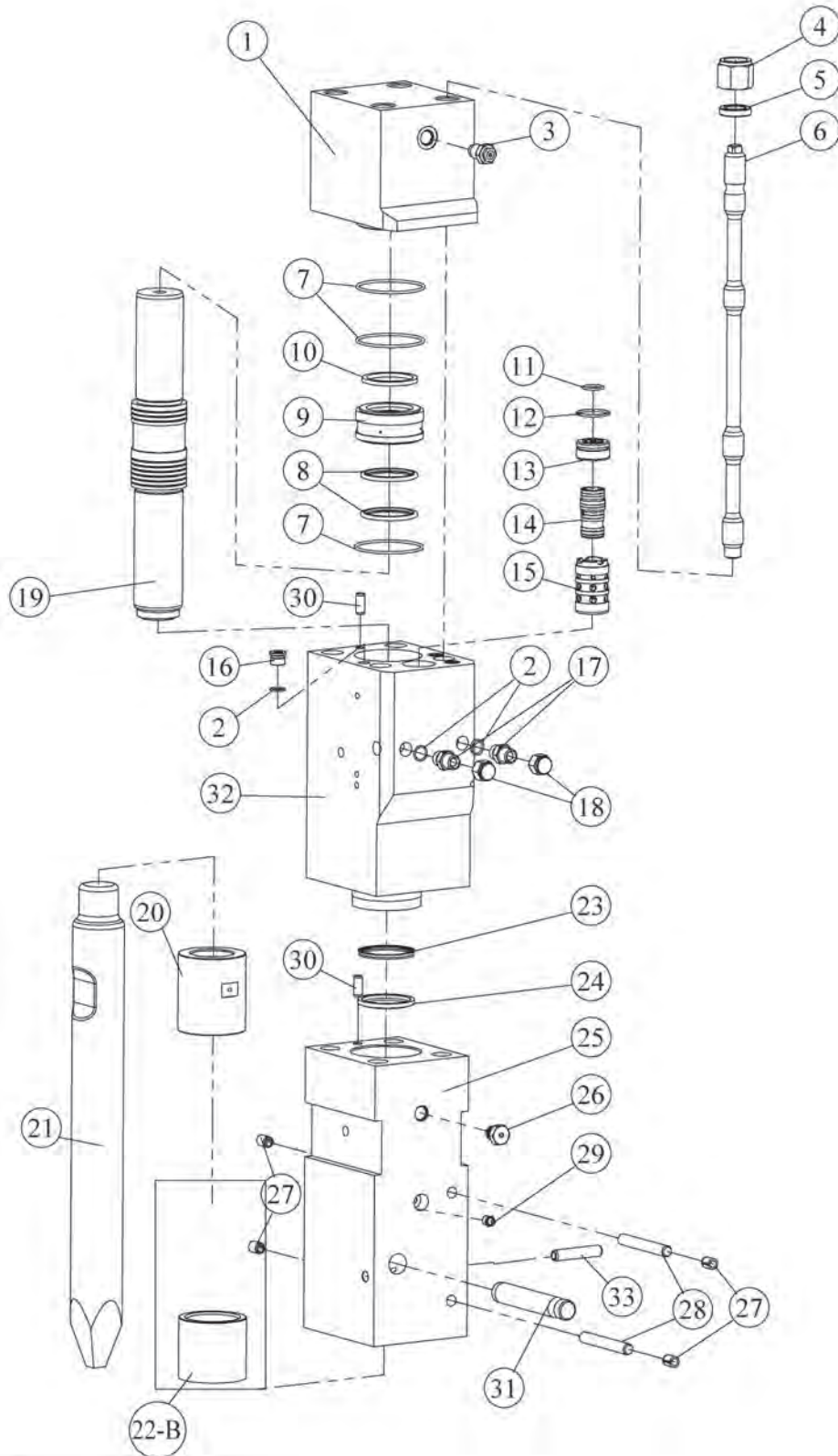


SHD 75ib

PARTS LIST



SHD 75ib MAIN BODY PARTS



SHD 75ib MAIN BODY PARTS LIST

NO.	PART NO.	PART NAME	Q'TY	REMARKS
1	04331	Back Head	1	
2	S00001	O RING	6	
3	00002	B/H Charging Valve	1	
4	04333	Through Bolt Hex. Nut	4	
5	04334	Through Bolt Washer	4	
6	04332	Through Bolt	4	
7	S00005	O Ring	3	
8	CS0402	Step Seal	2	
9	04303	Seal Retainer	1	
10	CS0401	Gas Seal	1	
11	S00003	O Ring	1	
12	S00045	O Ring	1	
13	04036	Valve Cap	1	
14	04035	Valve	1	
15	04037	Valve Sleeve	1	
16	04004	Socket Plug	3	
17	04036	Screwed Adapter	2	
18	04037	Adapter Cap	2	
19	04302	Piston	1	
20	04323	Ring Bush	1	
21	04322	Tool	1	
22-B	043241	Front Cover(S)	1	S/T
23	CS0406	U-Packing		B
24	CS0405	Dust Seal	1	
25	04321	Front Head	1	
26	00001	Air Check Valve	1	
27	P1604	Spring Pin(Φ 16 \times 40)	1	
28	04326	Stop Pin(Φ 16 \times 98)	4	
29	00003	Grease Nipple	2	
30	00004	Knock Pin	1	
31	04325	Rod Pin(Φ 38 \times 178)	2	
32	04301	Cylinder	1	
33	P1616	Spring Pin(Φ 16 \times 80)	1	
			1	
*	04300S	Seal Kit		
			1	assembly

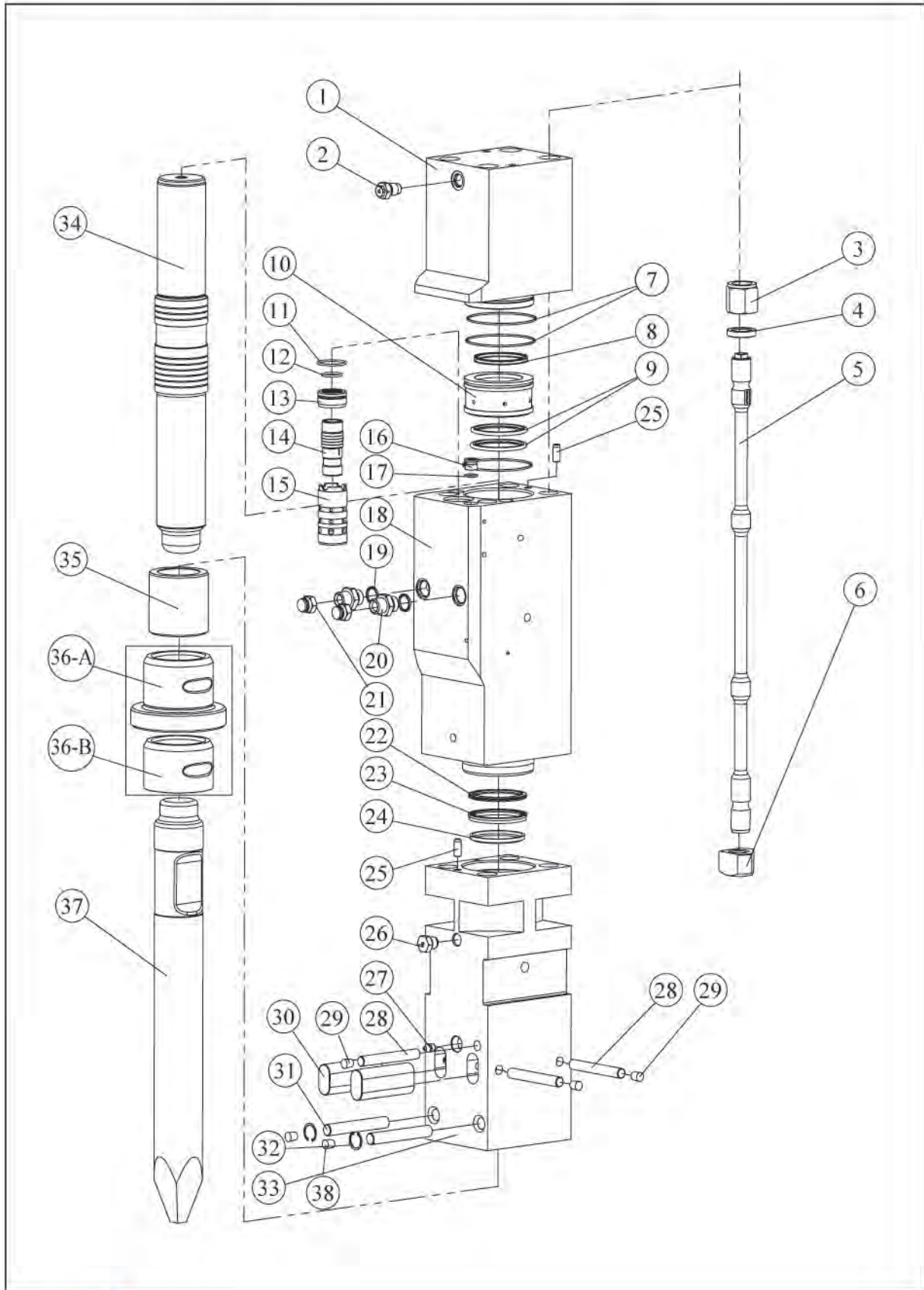


SHD 85i

PARTS LIST



SHD 85i MAIN BODY PARTS



SHD 85i MAIN BODY PARTS LIST

NO.	PART NO.	PART NAME	Q'TY	REMARKS
1	04531	Back Head	1	
2	00002	B/H Charging Valve	1	
3	04533	Through Bolt Hex. Nut	4	
4	04534	Through Bolt Washer	4	
5	04532	Through Bolt	4	
6	04535	Through Bolt Rd. Nut	4	
7	S00046	O RING	3	
8	CS0451	Gas Seal	1	
9	CS0452	Step Seal	2	
10	04503	Seal Retainer	1	
11	S00018	O Ring	1	
12	S00015	O Ring	1	
13	04506	Valve Cap	1	
14	04505	Valve	1	
15	04507	Valve Sleeve	1	
16	04004	Socket Plug	3	
17	S00001	O Ring	3	
18	04501	Cylinder	1	
19	S00006	O Ring	2	
20	08036	Screwed Adapter	2	
21	08037	Adapter Cap	2	
22	CS0457	Buffer Seal	1	
23	CS0456	U-Packing	1	
24	CS0455	Dust Seal	1	
25	00004	Knock Pin	2	
26	00001	Air Check Valve	1	
27	00003	Grease Nipple	1	
28	04526	Stop Pin	3	
29	R0018	Rubber Plug	3	
30	04525	Rod Pin	2	
31	04527	Front Cover Pin	2	
32	Q2000	Snap Ring	2	
33	04521	Front Head	1	
34	04502	Piston	1	
35	04523	Ring Bush	1	
36-A	04524	Front Cover	1	S/T
36-B	045241	Front Cover(S)		B
37	04522	Tool	1	
38	R0020	Rubber Plug	2	
★	04500S	Seal Kit	1	assembly

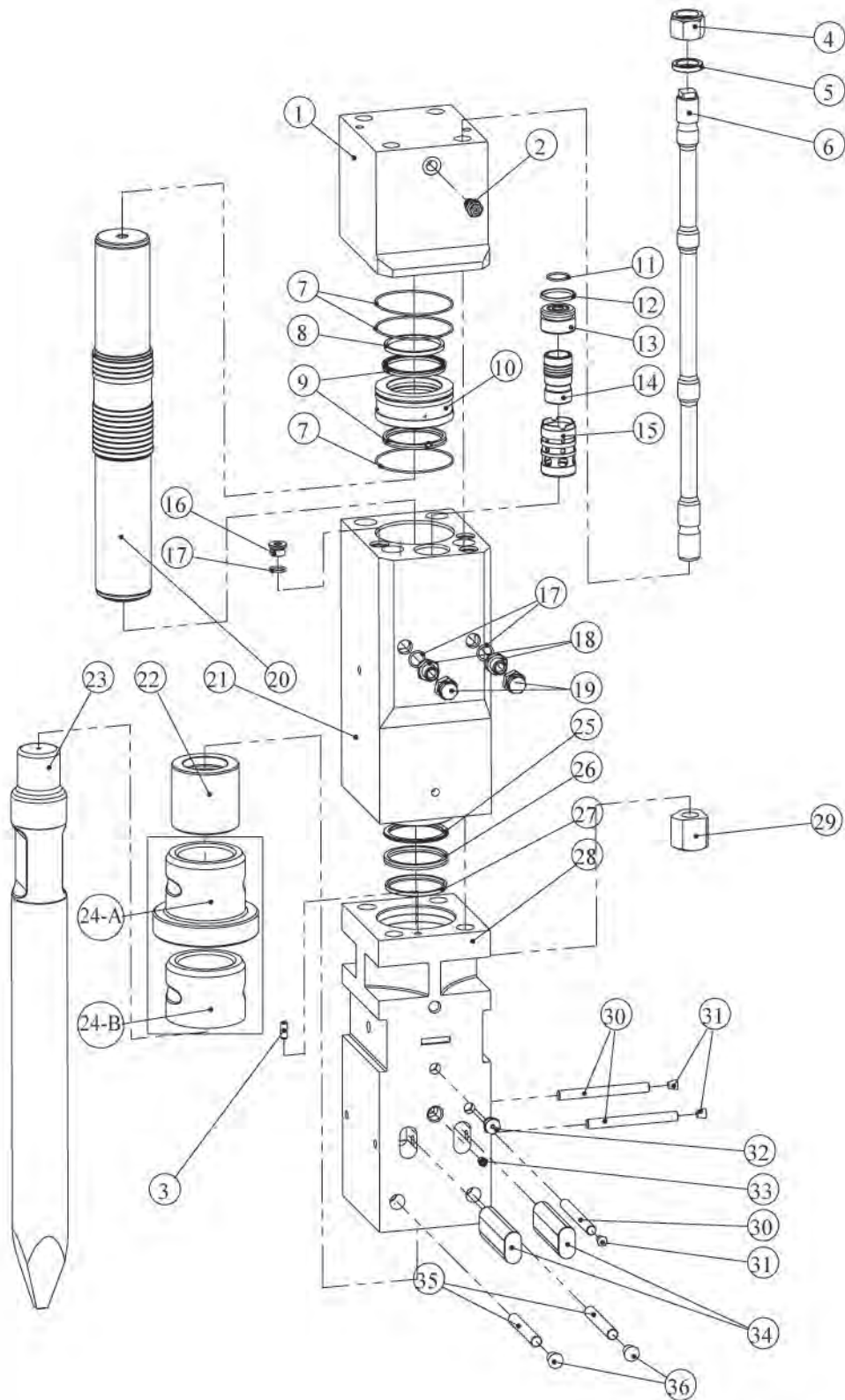


SHD 100i

PARTS LIST



SHD 100i MAIN BODY PARTS



SHD 100i MAIN BODY PARTS LIST

NO.	PART NO.	PART NAME	Q'TY	REMARKS
1	08031	Back Head	1	
2	00002	B/H Charging Valve	1	
3	00004	Knock Pin	1	
4	08033	Through Bolt Hex. Nut	4	
5	08034	Through Bolt Washer	4	
6	08032	Through Bolt	4	
7	S00009	O RING	3	
8	CS0801	Gas Seal	1	
9	CS0802	U-Packing	2	
10	08003	Seal Retainer	1	
11	S00008	O Ring	1	
12	S00007	O Ring	1	
13	08006	Valve Cap	1	
14	08005	Valve	1	
15	08007	Valve Sleeve	1	
16	08004	Socket Plug	3	
17	S00006	O Ring	5	
18	08036	Screwed Adapter	2	
19	08037	Adapter Cap	2	
20	08002	Piston	1	
21	08001	Cylinder	1	
22	08023	Ring Bush	1	
23	08022	Tool	1	
24-A	08024	Front Cover	1	S/T
24-B	080241	Front Cover(S)		B
25	CS0807	Buffer Seal	1	
26	CS0806	U-Packing	1	
27	CS0805	Dust Seal	1	
28	08021	Front Head	1	
29	08035	Through Bolt Rd. Nut	4	
30	08026	Stop Pin	3	
31	R0018	Rubber Plug	3	
32	00001	Air Check Valve	1	
33	00003	Grease Nipple	1	
34	08025	Rod Pin	2	
35	08027	Front Cover Pin	2	
36	R0026	Rubber Plug	2	
★	08000S	Seal Kit	1	assembly

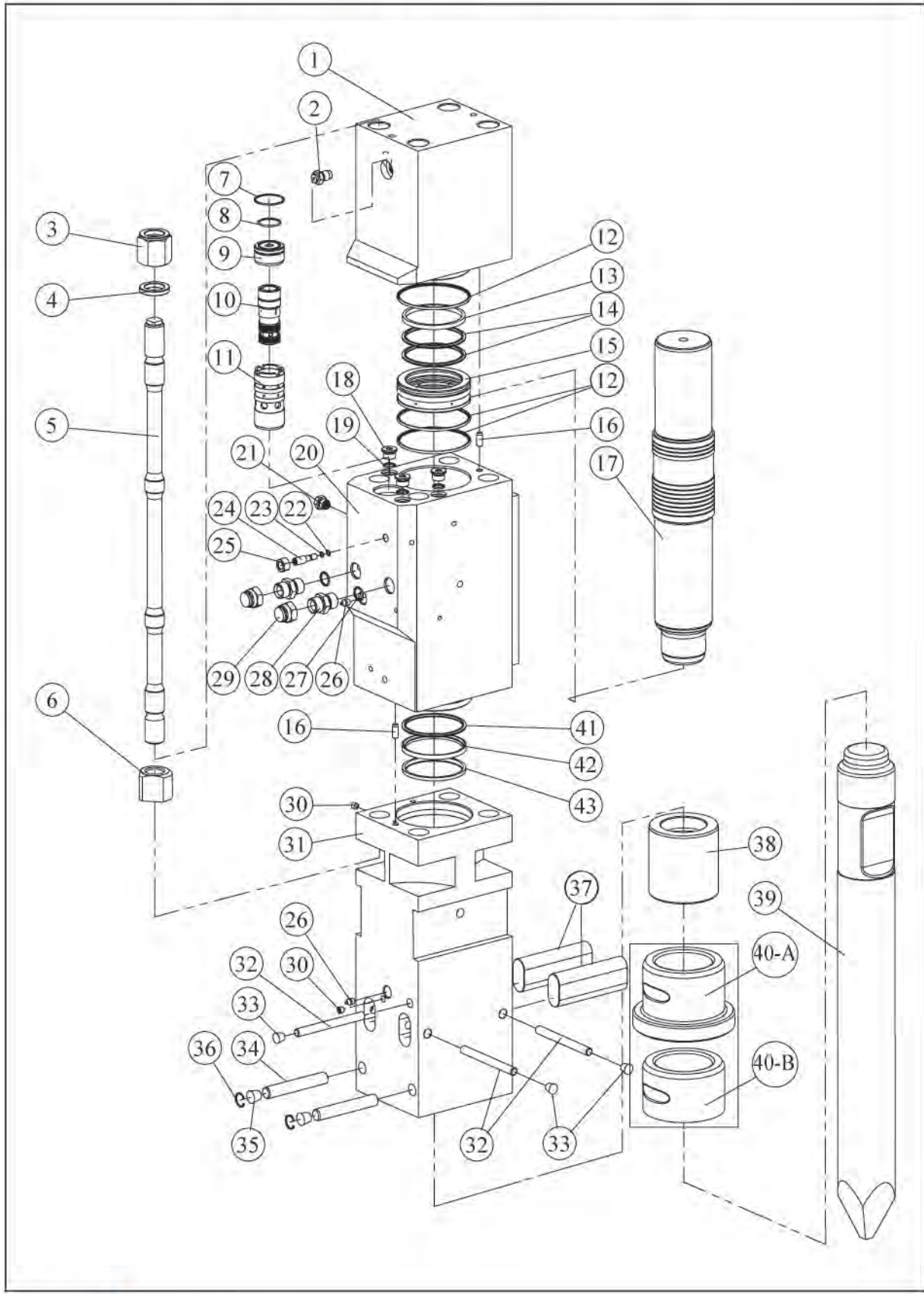


SHD 125i

PARTS LIST



SHD 125i MAIN BODY PARTS



SHD 125i MAIN BODY PARTS LIST

NO.	PART NO.	PART NAME	Q'TY	REMARKS
1	16031	Back Head	1	
2	00002	B/H Charging Valve	1	
3	16033	Through Bolt Hex. Nut	4	
4	16034	Through Bolt Washer	4	
5	16032	Through Bolt	4	
6	16035	Through Bolt Rd. Nut	4	
7	S00020	O Ring	1	
8	S00018	O Ring	1	
9	16006	Valve Cap	1	
10	16005	Valve	1	
11	16007	Valve Sleeve	1	
12	S00011	O Ring	3	
13	CS1601	Gas Seal	1	
14	CS1602	Step Seal	2	
15	16003	Seal Retainer	1	
16	00004	Knock Pin	2	
17	16002	Piston	1	
18	08004	Socket Plug	3	
19	S00006	O Ring	3	
20	16001	Cylinder	1	
21	00001	Air Check Valve	1	
22	S00002	O Ring	1	
23	T00018	Back-up Ring	1	
24	16009	Valve Adjuster	1	
25	M1615	Valve Adjuster Nut	1	
26	00003	Grease nipple	1	
27	S00015	O Ring	2	
28	21036	Screwed Adapter	2	
29	21037	Adapter Cap	1	
30	21028	Plug	2	
31	16021	Front Head	1	
32	16026	Stop Pin	3	
33	R0018	Rubber Plug	3	
34	16027	Front Cover Pin	2	
35	R0026	Rubber Plug	2	
36	Q2600	Snap Ring	2	
37	16025	Rod Pin	2	
38	16023	Ring Bush	1	
39	16022	Tool	1	
40-A	16024	Front Cover	1	S/T
40-B	160241	Front Cover(S)		B
41	CS1607	Buffer Seal	1	
42	CS1606	U-Packing	1	
43	CS1605	Dust Seal	1	
★	16000S	Seal Kit	1	assembly

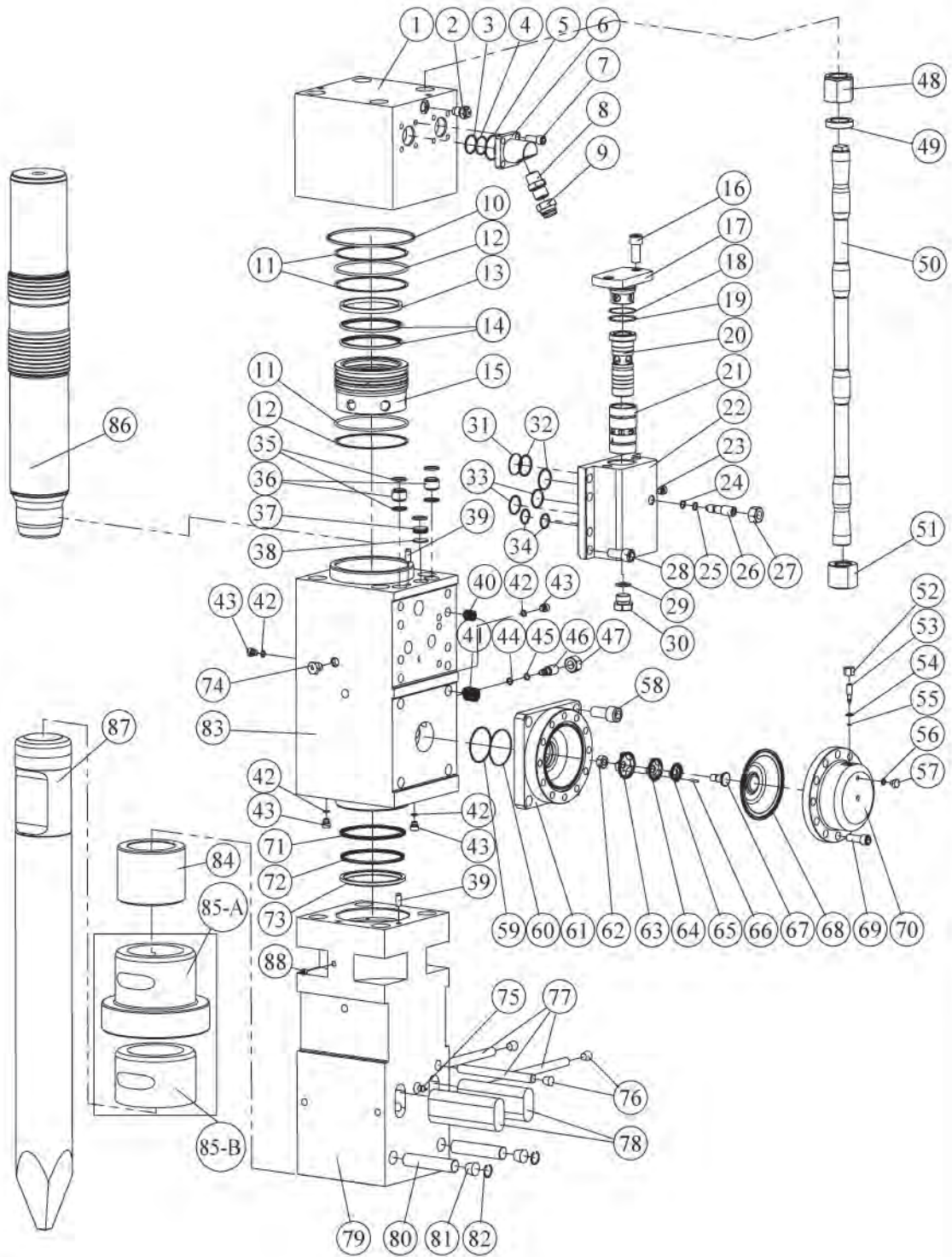


SHD 135A

PARTS LIST



SHD 135A MAIN BODY PARTS



SHD 135A MAIN BODY PARTS LIST

NO.	PART NO.	PART NAME	QTY	REMARKS
1	20031	Back Head	1	
2	00002	B/H Charging Valve	1	
3	S00017	O Ring	2	
4	T00003	Back-up Ring	2	
5	S00019	O Ring	2	
6	20039	Flange Adapter	2	
7	NF1409	Socket Bolt	8	
8	20036	Screwed Adapter	2	
9	20037	Adapter Cap	2	
10	S00023	O Ring	1	
11	T00005	Back-up Ring	3	
12	S00022	O Ring	1	
13	CS2001	Gas Seal	1	
14	CS2002	Step Seal	2	
15	20003	Seal Retainer	1	
16	NF2410	Socket Bolt	2	
17	20006	Valve Cover	1	
18	T00004	Back-up Ring	1	
19	S00020	O Ring	1	
20	20005	Valve	1	
21	20007	Valve Sleeve	1	
22	20008	Valve Housing	1	
23	20011	Socket Plug	1	
24	S00013	O Ring	1	
25	T00002	Back-up Ring	1	
26	20009	Valve Adjuster	1	
27	M2215	Valve Adjuster Nut	1	
28	N2010	Socket Bolt	8	
29	S00015	O Ring	1	
30	20010	Hex.Plug	1	
31	T00006	Back-up Ring	1	
32	S00018	O Ring	2	
33	S00017	O Ring	2	
34	S00016	O Ring	2	
35	S00015	O Ring	5	
36	TE0001	Connecting Bush	2	
37	TE0002	Plug Bush	1	
38	20013	Cover Plate	1	
39	00004	Knock Pin	2	
40	00051	Heli Coil	8	
41	00052	Heli Coil	4	
42	S00012	O Ring	4	
43	20004	Socket Plug	4	
44	S00014	O Ring	1	
45	T00001	Back-up Ring	1	

NO.	PART NO.	PART NAME	QTY	REMARKS
46	20012	Cylinder Adjuster	1	
47	M2215	Hex.Nut	1	
48	20033	Through Bolt Hex. Nut	4	
49	20034	Through Bolt Washer	4	
50	20032	Through Bolt	4	
51	20035	Through Bolt Rd. Nut	4	
52	20048	Acc. Charging Valve Cover	1	
53	20047	Acc. Charging Valve	1	
54	S00013	O Ring	1	
55	S00010	O Ring	1	
56	S00012	O Ring	1	
57	20049	Acc. Hex. Plug	1	
58	N2410	Socket Bolt	4	
59	T00007	Back-up Ring	1	
60	S00021	O Ring	1	
61	20041	Acc.Body	1	
62	M1615	Hex.Nut	1	
63	20046	Acc. Holder (C)	1	
64	20045	Acc. Holder (B)	1	
65	20044	Acc. Holder (A)	1	
66	00005	Acc.Pin	1	
67	20043	Acc. Holder Bolt	1	
68	20050	Acc.Diaphragm	1	
69	NF1809	Socket Bolt	12	
70	20042	Acc.Cover	1	
71	CS2007	Buffer Seal	1	
72	CS2006	U-Packing	1	
73	CS2005	Dust Seal	1	
74	00001	Air Check Valve	1	
75	00003	Grease Nipple	1	
76	R0020	Rubber Plug	3	
77	20026	Stop Pin	3	
78	20025	Rod Pin	2	
79	20021	Front Head	1	
80	20027	Front Cover Pin	2	
81	R0030	Rubber Plug	2	
82	Q3000	Snap Ring	2	
83	20001	Cylinder	1	
84	20023	Ring Bush	1	
85-A	20024	Front Cover	1	S/T
85-B	200241	Front Cover(S)		B
86	20002	Piston	1	
87	20022	Tool	1	
88	21028	Plug	1	
★	20000S	Seal Kit	1	assembly

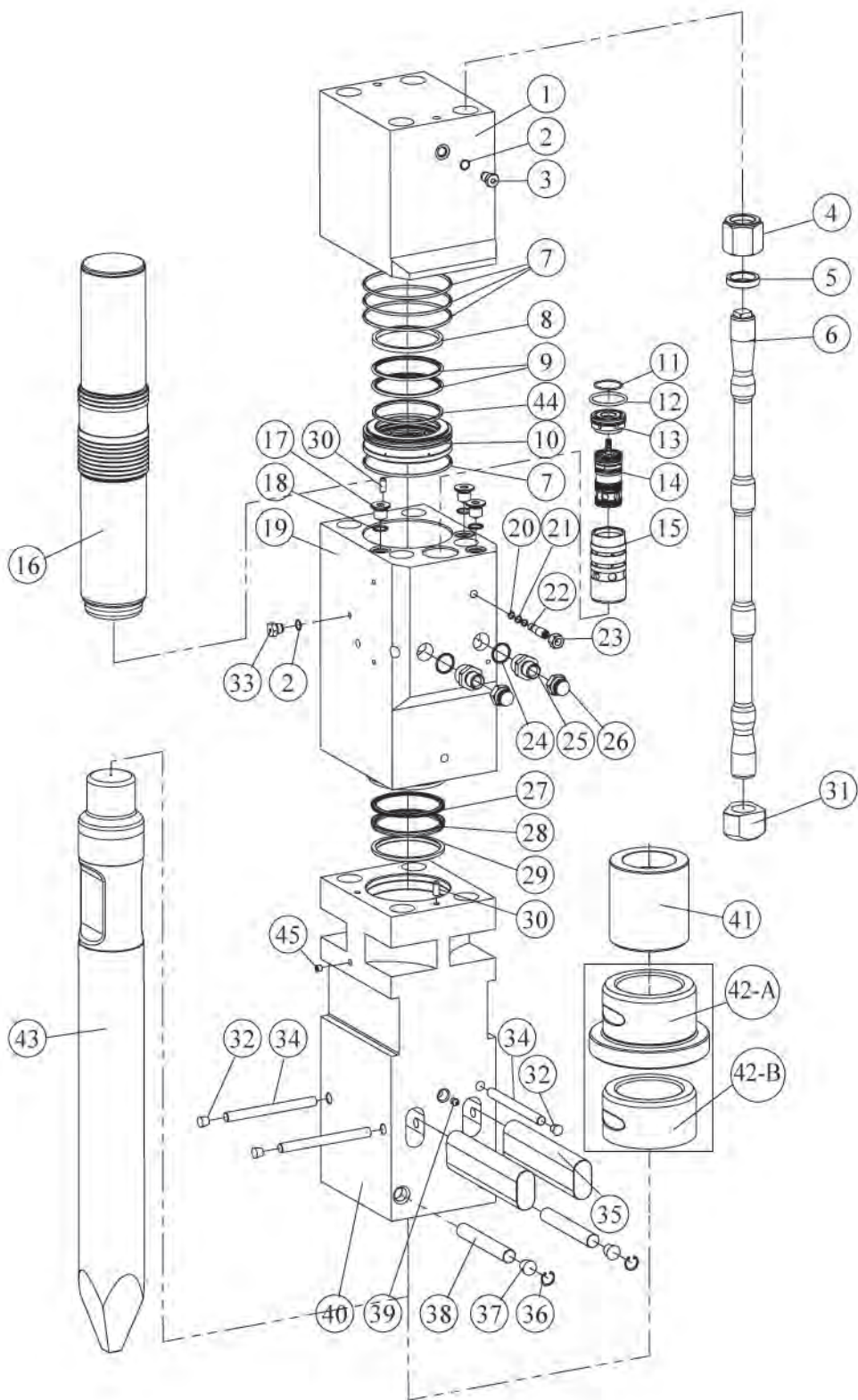


SHD 140i

PARTS LIST



SHD 140i MAIN BODY PARTS



SHD 140i MAIN BODY PARTS LIST

NO.	PART NO.	PART NAME	Q'TY	REMARKS
1	22031	Back Head	1	
2	S00001	O Ring	2	
3	00002	B/H Charging Valve	1	
4	22033	Through Bolt Hex. Nut	4	
5	22034	Through Bolt Washer	4	
6	22032	Through Bolt	4	
7	S00032	O Ring	4	
8	CS2201	Gas Seal	1	
9	CS2202	Step Seal	2	
10	22003	Seal Retainer	1	
11	S00019	O Ring	1	
12	S00026	O Ring	1	
13	22006	Valve Cap	1	
14	22005	Valve	1	
15	22007	Valve Sleeve	1	
16	22002	Piston	1	
17	22004	Socket Plug	3	
18	S00029	O Ring	3	
19	22001	Cylinder	1	
20	T00009	Back-up Ring	2	
21	S00012	O Ring	1	
22	22009	Valve Adjuster	1	
23	M2215	Valve Adjuster Nut	1	
24	S00030	O Ring	2	
25	22036	Screwed Adapter	2	
26	22037	Adapter Cap	2	
27	CS2007	Buffer Seal	1	
28	CS2206	U-Packing	1	
29	CS2005	Dust Seal	1	
30	00004	Knock Pin	2	
31	22035	Through Bolt Rd. Nut	4	
32	R0020	Rubber Plug	3	
33	00001	Air Check Valve	1	
34	22026	Stop Pin	3	
35	22025	Rod Pin	2	
36	Q3000	Snap Ring	2	
37	R0030	Rubber Plug	2	
38	22027	Front Cover Pin	2	
39	00003	Grease Nipple	1	
40	22021	Front Head	1	
41	22023	Ring Bush	1	
42-A	22024	Front Cover	1	S/T
42-B	220241	Front Cover(S)		B
43	22022	Tool	1	
44	CS2203	Buffer Ring	1	
45	21028	Plug	1	
★	22000S	Seal Kit	1	assembly

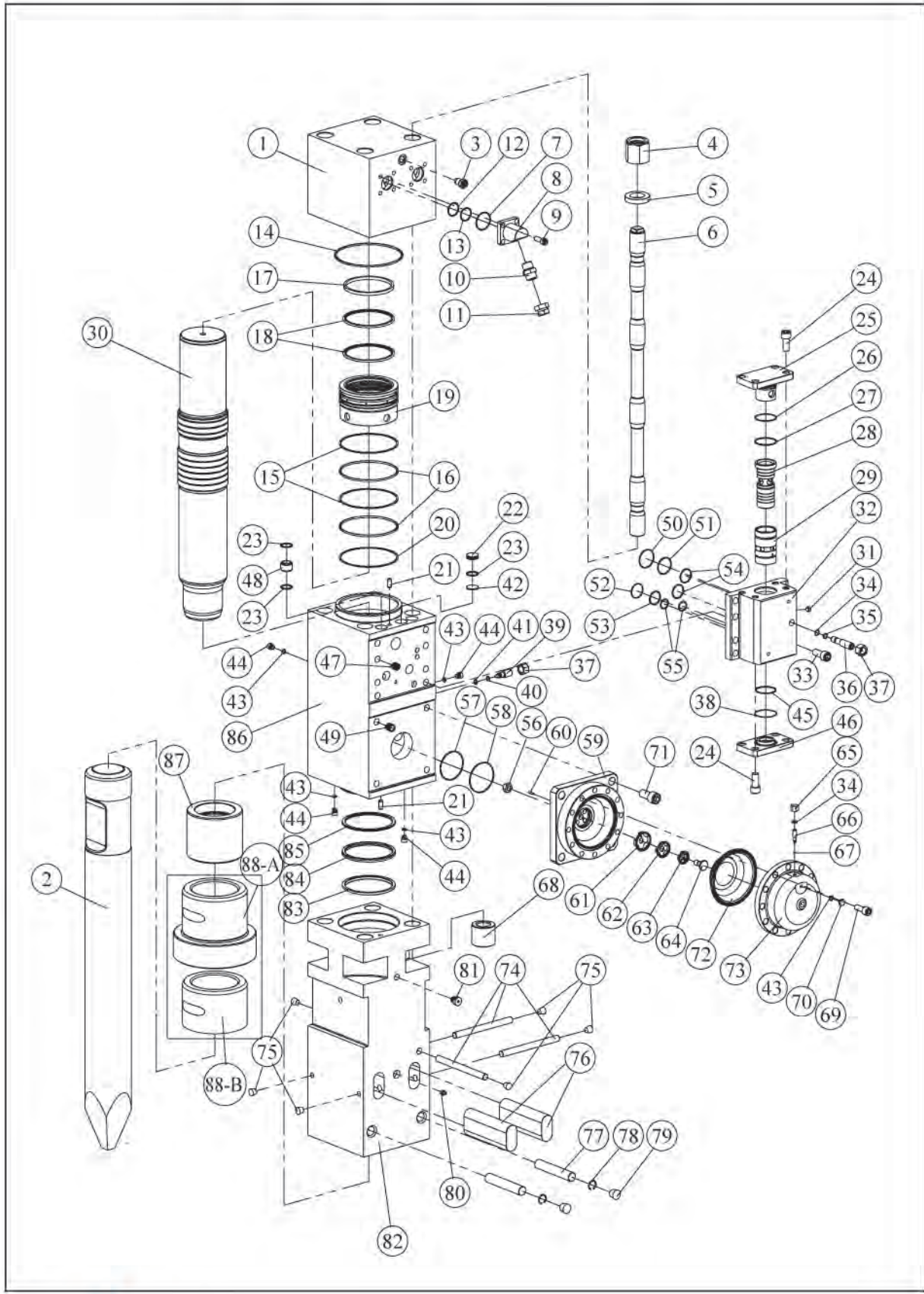


SHD 150A

PARTS LIST



SHD 150A MAIN BODY PARTS



SHD 150A MAIN BODY PARTS LIST

NO.	PART NO.	PART NAME	QTY	REMARKS
1	30031	Back Head	1	
2	30022	Tool	1	
3	00002	B/H Charging Valve	1	
4	30033	Through Bolt Hex. Nut	4	
5	30034	Through Bolt Washer	4	
6	30032	Through Bolt	4	
7	S000019	O Ring	2	
8	20039	Flange Adapter	2	
9	NF1409	Socket Bolt	8	
10	30036	Screwed Adapter	2	
11	30037	Adapter Cap	2	
12	S00017	O Ring	2	
13	T00003	Back-up Ring	2	
14	S00036	O Ring	1	
15	T00011	Back-up Ring	2	
16	S00032	O Ring	3	
17	CS3001	Gas Seal	1	
18	CS3002	Step Seal	2	
19	30003	Seal Retainer	1	
20	T00011	Back-up Ring	1	
21	00004	Knock Pin	2	
22	30013	Cover Plate	1	
23	S00033	O Ring	5	
24	N2010	Socket Bolt(M20-50)	8	
25	30006A	Valve Cover A	1	
26	T00010	Back-up Ring	1	
27	S00034	O Ring	1	
28	30005	Valve Sleeve	1	
29	30007	Valve	1	
30	30002	Piston	1	
31	30011	Socket Plug	1	
32	30008	Valve Housing	1	
33	N2010	Socket Bolt(M20-50)	8	
34	S00013	O Ring	2	
35	T00002	Back-up Ring	1	
36	30009	Valve Adjuster	1	
37	M2215	Valve Adjuster Nut	2	
38	S00034	O Ring	1	
39	20012	Cylinder Adjuster	1	
40	T00001	Back-up Ring	1	
41	S00014	O Ring	1	
42	30013	Cover Plate	1	
43	S00012	O Ring	5	
44	20004	Socket Plug	4	
45	T00013	Back-up Ring	1	
46	30006B	Valve Cover B	1	

NO.	PART NO.	PART NAME	QTY	REMARKS
47	00051	Heli Coil	8	
48	TE0004	Connecting Bush	2	
49	00052	Heli Coil	4	
50	T00012	Back-up Ring	1	
51	S00019	O Ring	1	
52	T00016	Back-up Ring	1	
53	S00039	O Ring	1	
54	S00018	O Ring	2	
55	S00016	O Ring	2	
56	M1615	Hex.Nut	1	
57	S00035	O Ring	1	
58	T00014	Back-up Ring	1	
59	30041	Acc.Body	1	
60	00005	Acc.Pin	1	
61	20046	Acc.Holder (C)	1	
62	20045	Acc.Holder (B)	1	
63	20044	Acc.Holder (A)	1	
64	20043	Acc.Holder Bolt	1	
65	20048	Acc.Charging Valve Cover	1	
66	20047	Acc.Charging Valve	1	
67	S00010	O Ring	1	
68	30035	Through Bolt Rd. Nut	4	
69	NF1809	Socket Bolt(M18×1.5-40)	16	
70	20049	Acc. Hex. Plug	1	
71	N2410	Socket Bolt(M24-60)	4	
72	30050	Acc.Diaphragm	1	
73	30042	Acc.Cover	1	
74	30026	Stop Pin(Φ20×239)	3	
75	R0020	Rubber Plug	3	
76	30025	Rod Pin(45×89.5×213)	2	
77	30027	Front Cover Pin(Φ30×145)	2	
78	Q3000	Snap Ring	2	
79	R0030	Rubber Plug	2	
80	00003	Grease Nipple	1	
81	00001	Air Check Valve	1	
82	30021	Front Head	1	
83	CS3005	Dust Seal	1	
84	CS3006	U-Packing	1	
85	CS3007	Buffer Seal	1	
86	30001	Cylinder	1	
87	30023	Ring Bush	1	
88-A	30024	Front Cover	1	S/T
88-B	300241	Front Cover(S)		B
★	30000S	Seal Kit	1	assembly

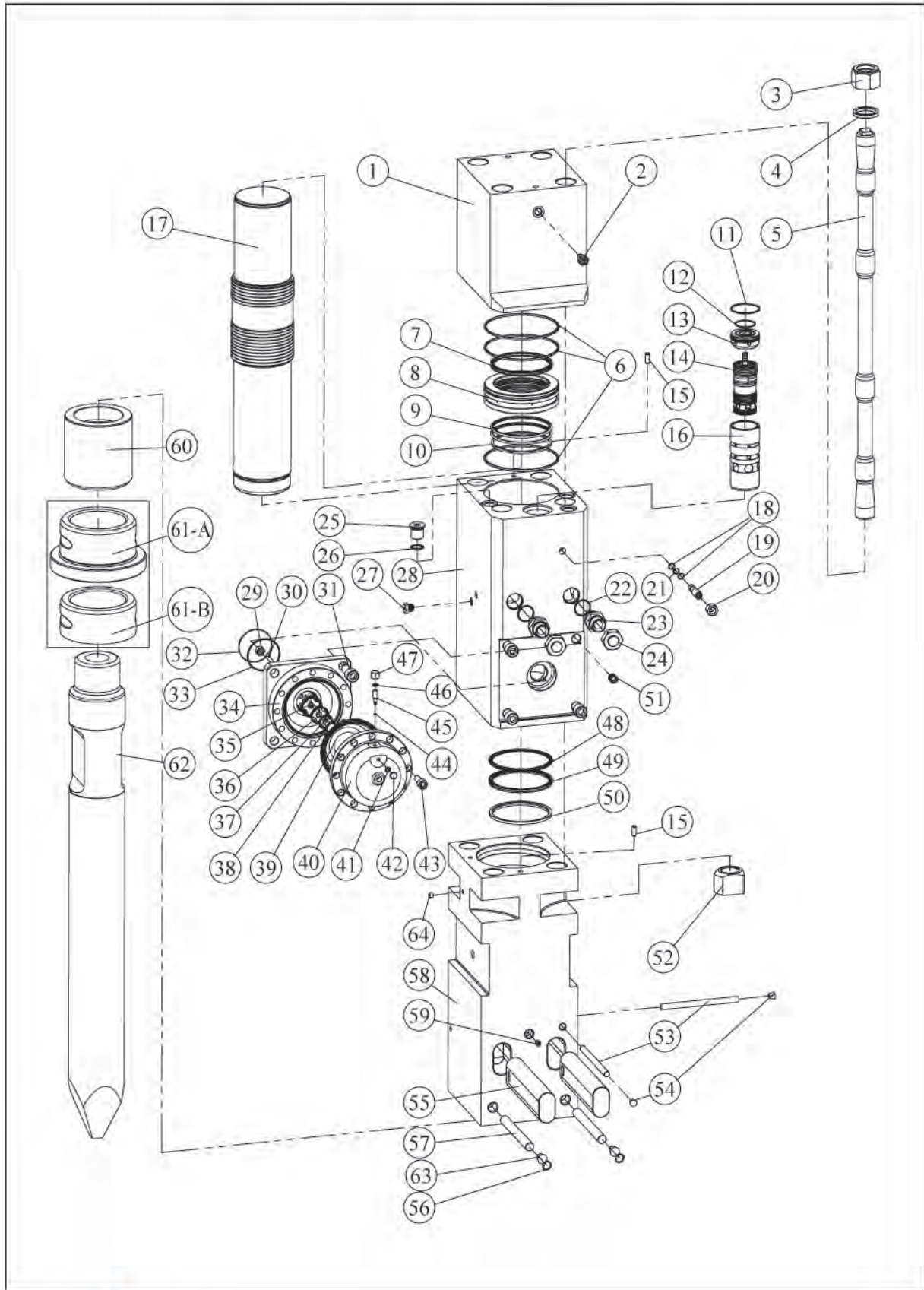


SHD 155i

PARTS LIST



SHD 155i MAIN BODY PARTS



SHD 155i MAIN BODY PARTS LIST

NO.	PART NO.	PART NAME	QTY	REMARKS
1	32031	Back Head	1	
2	00002	B/H Charging Valve	1	
3	32033	Through Bolt Hex. Nut	4	
4	32034	Through Bolt Washer	4	
5	32032	Through Bolt	4	
6	S00040	O Ring	3	
7	CS3201	Gas Seal	1	
8	32003	Seal Retainer	1	
9	CS3202	Step Seal	2	
10	CS3203	Buffer Ring	1	
11	S00021	O Ring	1	
12	S00019	O Ring	1	
13	32006	Valve Cap	1	
14	32005	Valve	1	
15	00004	Knock Pin	2	
16	32007	Valve Sleeve	2	
17	32002	Piston	1	
18	T00002	Back-up Ring	2	
19	32009	Valve Adjuster	1	
20	M2215	Valve Adjuster Nut	1	
21	S00013	O Ring	1	
22	S00037	O Ring	2	
23	35036	Screwed Adapter	2	
24	35037	Adapter Cap	2	
25	32004	Socket Plug	3	
26	S00033	O Ring	3	
27	00001	Air Check Valve	1	
28	32001	Cylinder	1	
29	M1615	Hex.Nut	1	
30	00005	Acc.Pin	1	
31	N2410	Socket Bolt	4	
32	T00015	Back-up Ring	1	
33	S00035	O Ring	1	
34	30041	Acc.Body	1	
35	20044	Acc. Holder (A)	1	
36	20045	Acc. Holder (B)	1	
37	20046	Acc. Holder (C)	1	
38	20043	Acc. Holder Bolt	1	
39	30050	Acc.Diaphragm	1	
40	30042	Acc.Cover	1	
41	S00012	O Ring	1	
42	20049	Acc. Hex. Plug	1	
43	NF1809	Socket Bolt	12	
44	S00010	O Ring	1	

NO.	PART NO.	PART NAME	QTY	REMARKS
45	20047	Acc. Charging Valve	1	
46	S00013	O Ring	1	
47	20048	Acc. Charging Valve Cover	1	
48	CS3207	Buffer Seal	1	
49	CS3206	U-Packing	1	
50	CS3205	Dust Seal	1	
51	00052	Heli Coil	4	
52	32035	Through Bolt Rd. Nut	4	
53	32026	Stop Pin	2	
54	R0018	Rubber Plug	2	
55	32025	Rod Pin	2	
56	Q2600	Snap Ring	2	
57	32027	Front Cover Pin	2	
58	32021	Front Head	1	
59	00003	Grease Nipple	1	
60	32023	Ring Bush	1	
61-A	32024	Front Cover	1	S/T
61-B	320241	Front Cover(S)	1	B
62	32022	Tool	1	
63	R0026	Rubber Plug	2	
64	21028	Plug	1	
*	32000S	Seal Kit	1	assembly

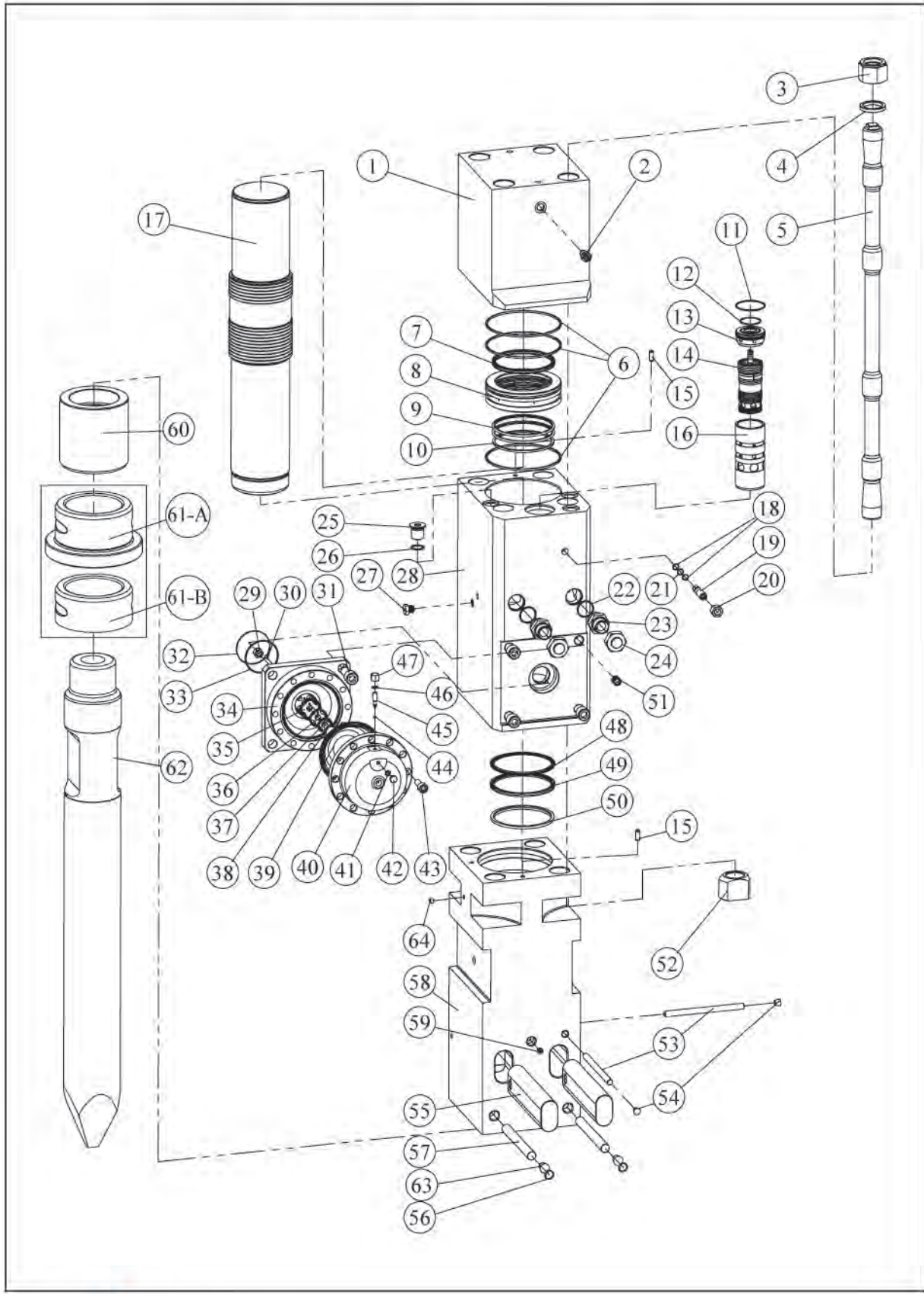


SHD 165i

PARTS LIST



SHD 165i MAIN BODY PARTS



SHD 165i MAIN BODY PARTS LIST

NO.	PART NO.	PART NAME	QTY	REMARKS
1	35031	Back Head	1	
2	00002	B/H Charging Valve	1	
3	35033	Through Bolt Hex. Nut	4	
4	35034	Through Bolt Washer	4	
5	35032	Through Bolt	4	
6	S00038	O Ring	3	
7	CS3501	Gas Seal	1	
8	35003	Seal Retainer	1	
9	CS3502	Step Seal	2	
10	CS3503	Buffer Ring	1	
11	S00021	O Ring	1	
12	S00019	O Ring	1	
13	35006	Valve Cap	1	
14	35007	Valve	1	
15	00004	Knock Pin	2	
16	35005	Valve Sleeve	2	
17	35002	Piston	1	
18	T00002	Back-up Ring	2	
19	32009	Valve Adjuster	1	
20	M2215	Valve Adjuster Nut	1	
21	S00013	O Ring	1	
22	S00037	O Ring	2	
23	35036	Screwed Adapter	2	
24	35037	Adapter Cap	2	
25	32004	Socket Plug	3	
26	S00033	O Ring	3	
27	00001	Air Check Valve	1	
28	35001	Cylinder	1	
29	M1615	Hex.Nut	1	
30	00005	Acc.Pin	1	
31	N2410	Socket Bolt	4	
32	T00015	Back-up Ring	1	
33	S00035	O Ring	1	
34	30041	Acc.Body	1	
35	20044	Acc. Holder (A)	1	
36	20045	Acc. Holder (B)	1	
37	20046	Acc. Holder (C)	1	
38	20043	Acc. Holder Bolt	1	
39	30050	Acc.Diaphragm	1	
40	30042	Acc.Cover	1	
41	S00012	O Ring	1	
42	20049	Acc. Hex. Plug	1	
43	NF1809	Socket Bolt	12	
44	S00010	O Ring	1	

NO.	PART NO.	PART NAME	QTY	REMARKS
45	20047	Acc. Charging Valve	1	
46	S00013	O Ring	1	
47	20048	Acc. Charging Valve Cover	1	
48	CS3507	Buffer Seal	1	
49	CS3506	U-Packing	1	
50	CS3505	Dust Seal	1	
51	00052	Heli Coil	4	
52	35035	Through Bolt Rd. Nut	4	
53	35026	Stop Pin	2	
54	R0018	Rubber Plug	2	
55	35025	Rod Pin	2	
56	Q2600	Snap Ring	2	
57	35027	Front Cover Pin	2	
58	35021	Front Head	1	
59	00003	Grease Nipple	1	
60	35023	Ring Bush	1	
61-A	35024	Front Cover	1	S/T
61-B	350241	Front Cover(S)		B
62	35022	Tool	1	
63	R0026	Rubber Plug	2	
64	21028	Plug	1	
★	35000S	Seal Kit	1	assembly

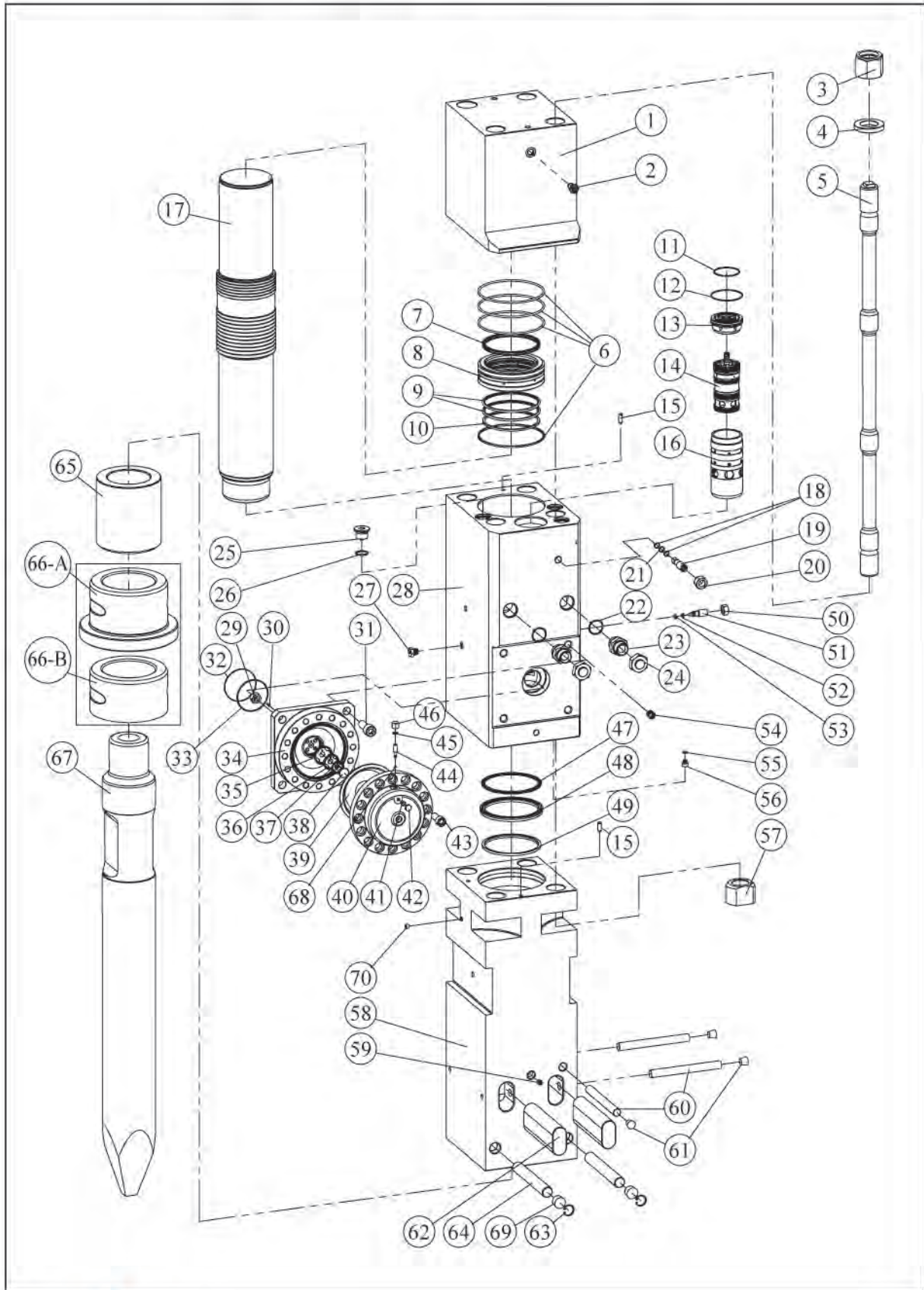


SHD 175i

PARTS LIST



SHD 175i MAIN BODY PARTS



SHD 175i MAIN BODY PARTS LIST

NO.	PART NO.	PART NAME	QTY	REMARKS
1	45031	Back Head	1	
2	00002	B/H Charging Valve	1	
3	45033	Through Bolt Hex. Nut	4	
4	45034	Through Bolt Washer	4	
5	45032	Through Bolt	4	
6	S00038	O Ring	4	
7	CS4501	Gas Seal	1	
8	45003	Seal Retainer	1	
9	CS4502	Step Seal	2	
10	CS4503	Buffer Ring	1	
11	S00021	O Ring	1	
12	S00042	O Ring	1	
13	45006	Valve Cap	1	
14	45005	Valve	1	
15	00004	Knock Pin	2	
16	45007	Valve Sleeve	2	
17	45002	Piston	1	
18	T00016	Back-up Ring	2	
19	45009	Valve Adjuster	1	
20	M2215	Valve Adjuster Nut	1	
21	S00043	O Ring	1	
22	S00037	O Ring	2	
23	35036	Screwed Adapter	2	
24	35037	Adapter Cap	2	
25	45004	Socket Plug	3	
26	S00041	O Ring	3	
27	00001	Air Check Valve	1	
28	45001	Cylinder	1	
29	M1615	Hex.Nut	1	
30	00005	Acc.Pin	1	
31	N2411	Socket Bolt	4	
32	T00017	Back-up Ring	1	
33	S00044	O Ring	1	
34	45041	Acc.Body	1	
35	20044	Acc. Holder (A)	1	
36	20045	Acc. Holder (B)	1	
37	20046	Acc. Holder (C)	1	
38	20043	Acc. Holder Bolt	1	
39	45050	Acc.Diaphragm	1	
40	45042	Acc.Cover	1	
41	S00012	O Ring	1	
42	20049	Acc. Hex. Plug	1	
43	N2009	Socket Bolt	16	
44	20047	Acc. Charging Valve	1	

NO.	PART NO.	PART NAME	QTY	REMARKS
45	S00013	O Ring	1	
46	20048	Acc. Charging Valve Cover	1	
47	CS4507	Buffer Seal	1	
48	CS4506	U-Packing	1	
49	CS4505	Dust Seal	1	
50	M2215	Hex.Nut	1	
51	20012	Cylinder Adjuster	1	
52	T00001	Back-up Ring	1	
53	S00014	O Ring	2	
54	00052	Helix Coil	4	
55	S00012	O Ring	1	
56	20004	Socket Plug	1	
57	45035	Through Bolt Rd. Nut	4	
58	45021	Front Head	1	
59	00003	Grease Nipple	1	
60	45026	Stop Pin	3	
61	R0026	Rubber Plug	3	
62	45025	Rod Pin	2	
63	Q3600	Snap Ring	2	
64	45027	Front Cover Pin	2	
65	45023	Ring Bush	1	
66-A	45024	Front Cover	1	S/T
66-B	450241	Front Cover(S)		B
67	45022	Tool	1	
68	S00010	O Ring	1	
69	R0036	Rubber Plug	2	
70	21028	Plug	1	
★	45000S	Seal Kit	1	assembly



SHD Tool Type

● Tool Type

No	Type	Sketch map		Name	
1	Moil			Moil(universal) standard type we supply	M
2				Conical point	C
3	Chisel (flat)			H-Wedge	H
4				V-Wedge	V
5	Blunt			Blunt	B
Note		The drawings above are just for identifying different types of tool Tip			

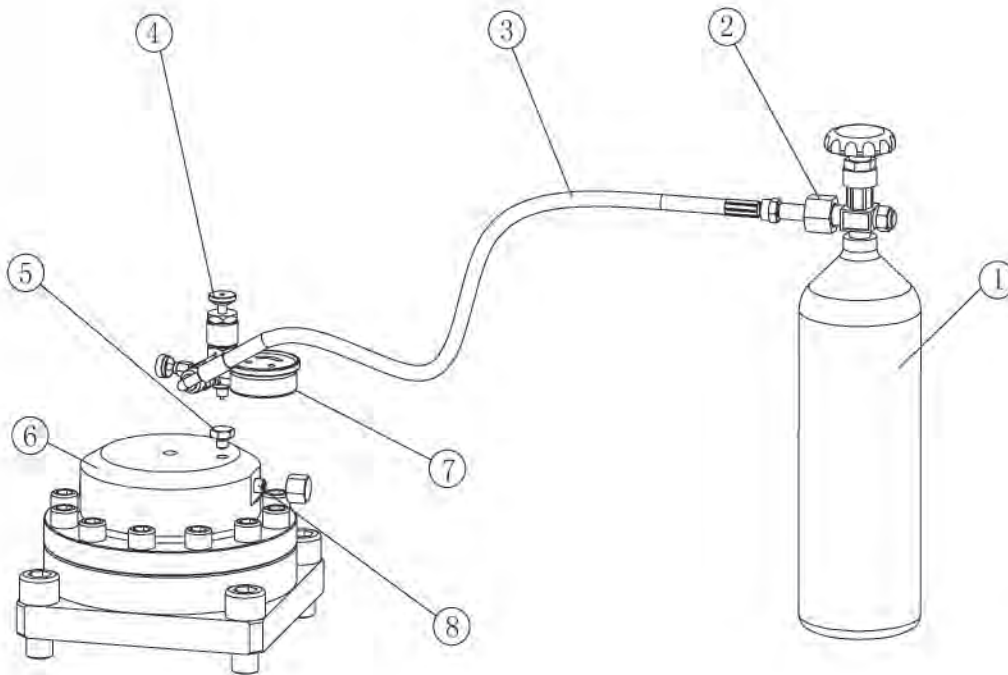
● Application Instruction

Moil Point This tool is suitable for common breaking work during which accurate control of the cut is not required.	
Chisel Point Most ordinarily used tool for demolition work. Available in both in-line and cross cut.	
Blunt Point This tool is appropriate for breaking oversize material and concrete pads where a chisel point may go through too quickly.	

● Tool Dimension

No	Model	Dia.	Length	Weight	Note
		mm	mm	Kg	
1	EDT100	40	430	4	
2	EDT200	45	500	8	
3	EDT300	53	580	9	
4	EDT400	68	702	18	
5	EDT430	75	710	22	
6	EDT435	80	755	26	
7	EDT450	85	745	29	
8	EDT800	100	1055	57	
9	EDT1600	125	1130	94	
10	EDT2000	135	1200	119	
11	EDT2000F	135	1200	116	
12	EDT2200	140	1300	136	
13	EDT3000	150	1300	157	
14	EDT3200	155	1500	190	
15	EDT3500	165	1500	224	
16	EDT4500	175	1600	260	
17	EDT6000	185	1600	290	

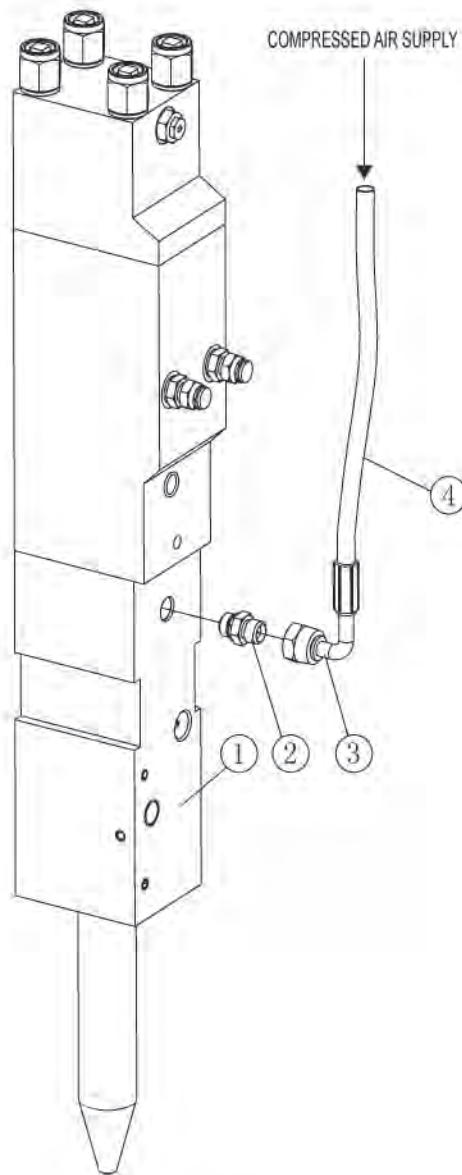
ACCUMULATOR GAS CHARGING KIT



ACCUMULATOR GAS CHARGING KIT LIST

NO.	PART NO.	PART NAME	Q'TY	REMARKS
1	NG021	N2 Gas Tank	1	
2	NG022	Hose Connector	1	
3	NG023	Hose	1	1/4"
4	NG024	Pressure Adjuster	1	
5	20049	Acc. Hex. Plug	1	
6	20042	Acc. Cover	1	
7	NG207	Pressure Gauge	1	100kg/cm ²
8	20047	Acc. Charging Valve	1	

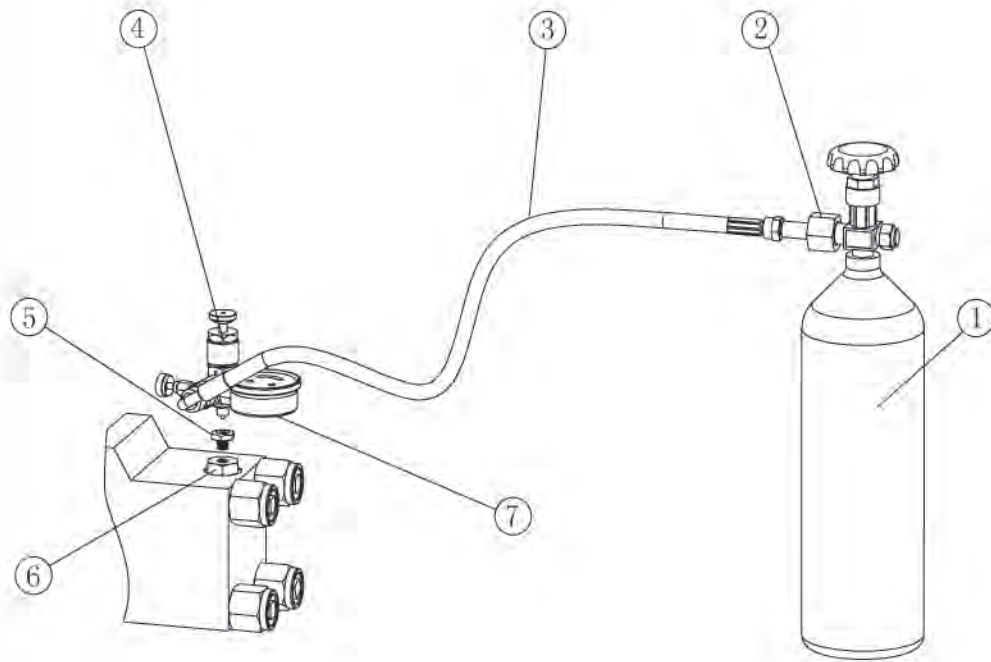
UNDER-WATER KIT



UNDER-WATER KIT LIST

NO.	PART NO.	PART NAME	Q'TY	REMARKS
1	Mxxxxx	Breaker Main Body	1	Any Type
2	04036	Screwed Adapter	1	
3	HF902	Hose Fitting	1	PF 1/2"-90°
4	HS2	Hose	1	1/2"-Length Adjustable








NITROGEN GAS CHARGING KIT



NITROGEN GAS CHARGING KIT LIST

NO.	PART NO.	PART NAME	Q'TY	REMARKS
1	NG201	N ₂ Gas Tank	1	
2	NG202	Hose Connector	1	
3	NG203	Hose	1	1/4"
4	NG204	Pressure Adjuster	1	
5	NG205	Gas Valve Plug	1	
6	NG206	B/H Charging Valve	1	
7	NG207	Pressure Gauge	1	100kg/cm ²

TOOL BOX PARTS LIST

BREAKER TYPE	DOUBLE END WRENCH 	SINGLE END WRENCH 	L-WRENCH 	RING WRENCH 	OTHER TOOLS FOR ALL
FOR ALL	30X27 22X19		5		
EDT100		12 24			
EDT200		12 24 32	10		
EDT300	41X36				
EDT400				41	
EDT430			10	41 46	
EDT450				50 46	
EDT800		32 36	12	55 46	
EDT1600		41	12 8	65	
EDT2000	41X36	34	19 17 14 12	65 75	
EDT2100		41 34	19 14 12 10 8		
EDT2200		41 50	12 8	75	SOCKET SPANNER 14#
EDT2200A			19 14 12 8		
EDT3000	41X36	34	19 17 14 12 8	70 75	PIN BAR
EDT3200				85 75	N2 GAS HOSE ASSY.
EDT3500		55 34	19 17 14 12		
EDT4500				85	N2 GAUGE ASSY. MANNUL QUALITY CERTIFICATE